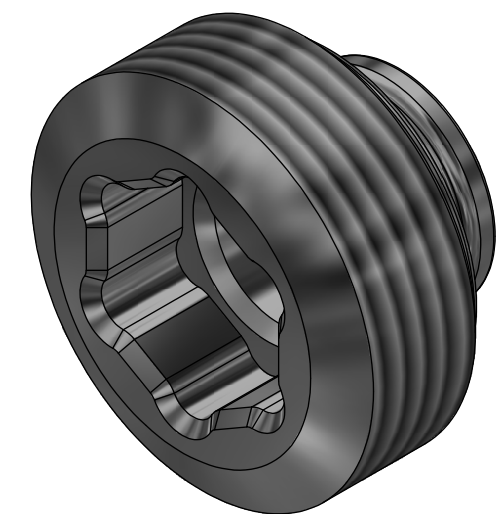
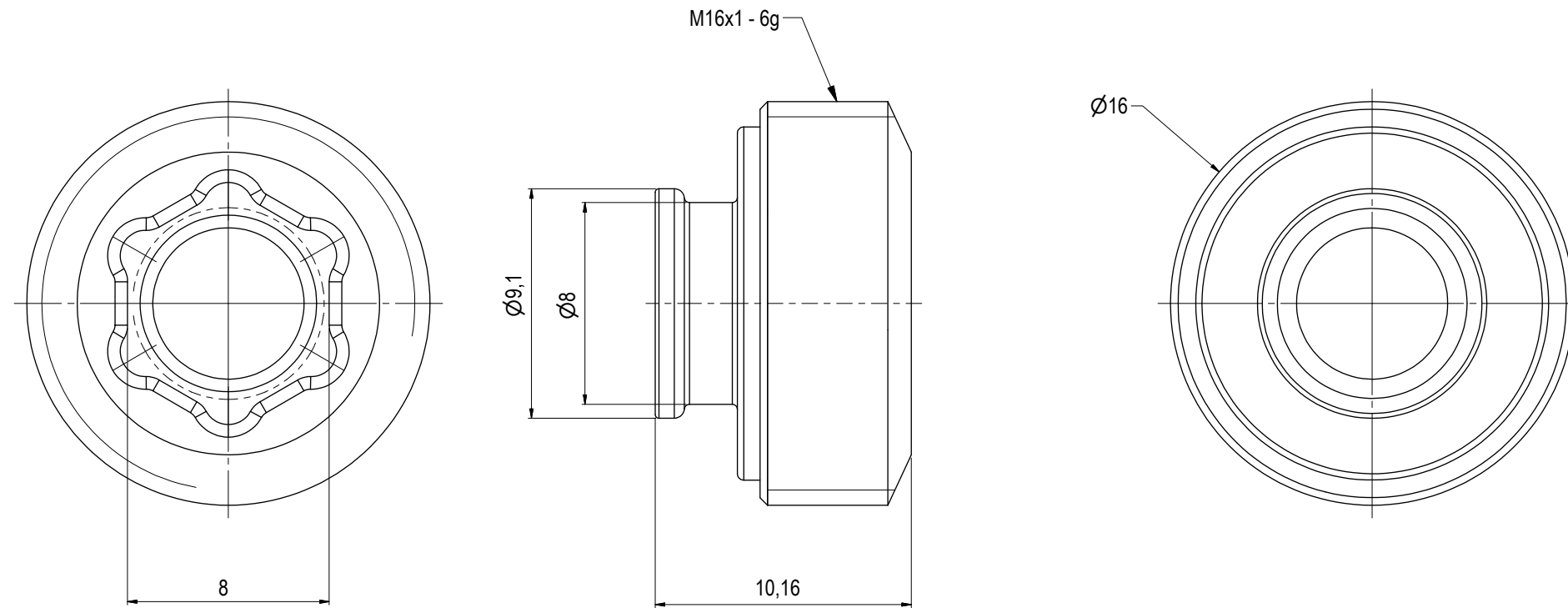


NOTE: 1
 DESIGN CODE:
 N/A

NOTE: 2
 TECHNICAL CLASSIFICATION:
 Article Type: 003-Valve Stabs
 Main Group: 3.07. Ø55/Ø57-Valvestab
 Intermediate Group: 3.42.00. Generic
 Sub Group: 3.42.304.0. System

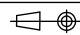
NOTE: 3
 INTERFACE INFORMATION:
 Pressure Rating Bar: N/A
 Material: Inconel Alloy 718 UNS NO7718
 Weight: 0 kg
 Volume: 0 dm³
 Surface Area: 10 cm²
 Hydraulic: N/A
 Mechanical: N/A
 Electrical: N/A
 Com. & Protocol: N/A



04	1.10.2024	7-IFC (Issued for Construction)	added tolerances and new notes	WTJ	SNA	HNJ
03	26.4.2019	7-IFC (Issued for Construction)		WTJ	TBA	WTJ
02	4.12.2018	7-IFC (Issued for Construction)		WTJ	LAE	WTJ
01	7.10.2016	7-IFC (Issued for Construction)		WTJ	EKJ	LGH
Rev.	Date	Reason for issue	Revision change	Made	Chk'd	Appr.

BLUE LOGIC 

This Drawing is the Property of Blue Logic AS © and must Not be Loaned, Reproduced or Transferred to others without written Permission

Unless Noted Otherwise:	Dwg Scale: NTS
Dim. Tol: NS-ISO 2768-1/N/A	Dwg Proj: 
Roughness: RaN/A	Dwg Format: A3
Fillet Rad: Corner Rmax: N/A	Break Edges: (R. Alt. 45°) R= 0,1-0,5

Drawing title: Cartridge for Ø55/Ø57 VStab 10k	Drawing number: BA9203	Rev: 04
--	------------------------	---------